

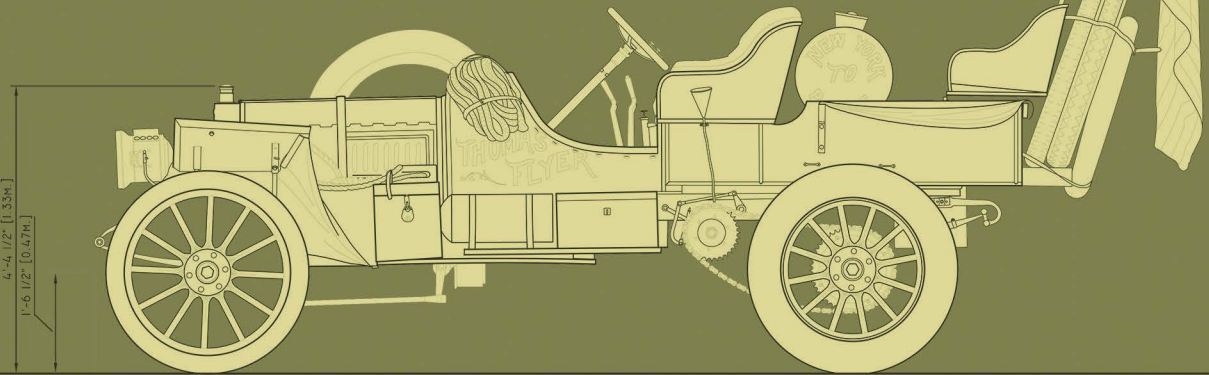
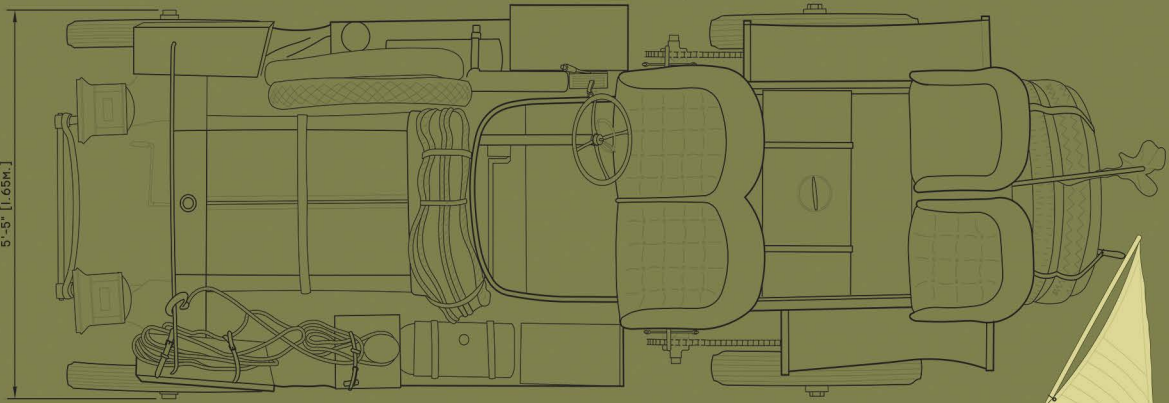
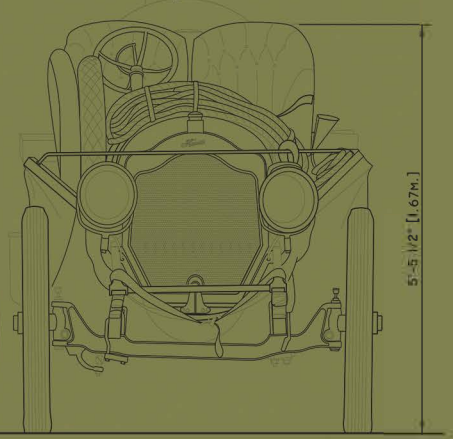
Heritage Documentation Programs



2018 SUMMER EMPLOYMENT

ARCHITECTS - HISTORIANS - LANDSCAPE ARCHITECTS

Historic American Buildings Survey
Historic American Engineering Record
Historic American Landscapes Survey



1907 MODEL 35 THOMAS FLYER, winner of the 1908 New York to Paris Auto Race. Reno, Nevada (HAER No. NV-49)
Photo by Casey Maxon, Historic Vehicle Association Drawings by Thomas Behrens, HDP, 2016

www.nps.gov/hdp/jobs

The Heritage Documentation Programs division of the National Park Service seeks applications from qualified students for summer employment documenting historic sites and structures of architectural, landscape and technological significance throughout the country. Duties involve on-site fieldwork and preparation of historical reports or measured and interpretive drawings for the HABS/HAER/HALS collection at the Prints and Photographs Division of the Library of Congress. Project duration is twelve weeks, beginning in late May or early June. Salaries range from approximately \$8,000 to \$12,000 for the summer, depending on job responsibility, location of the project, and level of experience. Applicants must meet the definition of a student throughout the duration of their summer appointment.

The application deadline is 16 March 2018.